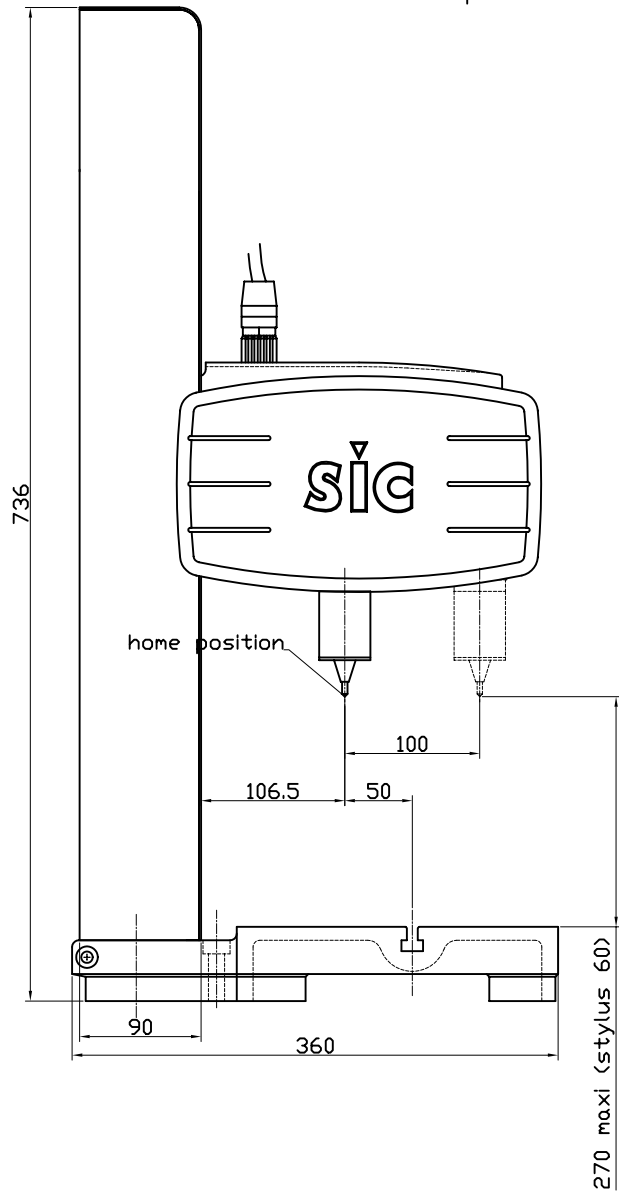
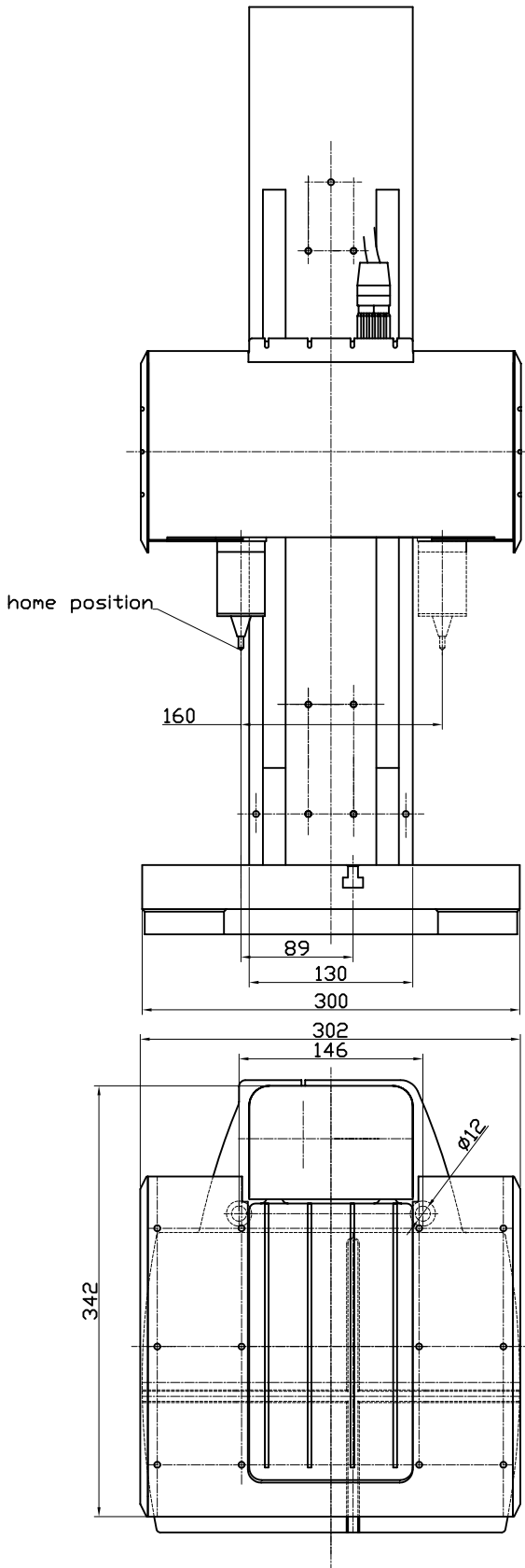
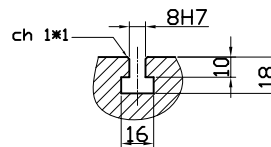


European views




slots detail (sca. 1.5)



Characteristics :

- marking window : 160 x 100 mm
- connection : 5 m cable
- base mounting : 2 screws cHc M8
- accessories positioning : 2 slots in T of 8 mm

A	GS	16/12/2002	creation	GB
Rev.:	Designer :	Date :	Modification :	Approved :
Treatment :			Finition :	Gen. tol.:
 SIC MARKING 13 route de Limonest 69380 Lissieu - FRANCE Tél:(33).04.72.54.80.00 Fax:(33).04.78.47.39.40 www.SIC-MARKING.com		Material :	Qty :	Sca.: 1
		Assembly : c151-Z		
		Name : general layout		
		N° 1.22.002		